

Temperaturgivare för flänsmontage svetsat skydds rör, form 3F med avsmalnad spets

Användningsområde

För temperaturmätning i gaser och vätskor i rör och tankar vid medelhögt tryck och medelhöga flöden. Avsmalnad spets enligt NAMUR. För flänsmontage.

Armatyr

Material i syrafast stål, 1.4571, Ø 12 mm.
Reducerad spets till Ø 9 mm för korta svarstider.

Mätinsats

Bytbar mätinsats typ TR/TC 100 i syrafast stål D = Ø 6 mm. Maxlängd = L + HL < 1000 mm. Insatslängd = L + HL + 10 mm. För utförlig information om mätinsatsen se TR/TC 100.

Godkännande

Givaren finns med ATEX-godkännande men med vissa begränsningar i beställningalternativen. För mer information se hemsidan.

Processtemperatur

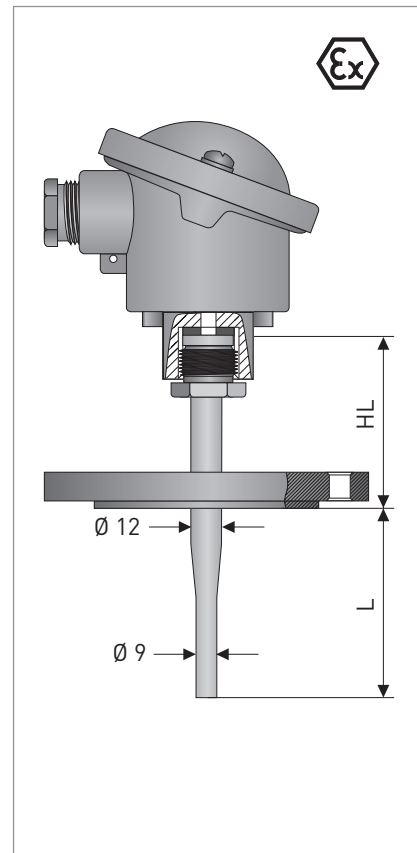
TRA	-196...+600 °C
TCA	-40...+600 °C*

Kapslingsklass

Se avsnitt Kopplingshuvuden på sida 120.

Svarstider

Typ	Vatten 0.4 m/s	
	t 0.5	t 0.9
TRA-F42, Ø 12	12 s	30 s
TCA-F42, Ø 12	10 s	24 s



Dimensioner i mm

För mer detaljerade dimensioner se kapitel "Dimensioner för insticksgivare" på sida 149.

Beställningskod för TRA-F42 med standardinställningar

V	T	S	4	4	3	0	1	3	2	1	4	B	1	2	2	1	0	0	0	0	0	0	0	4	0	0	
					1							8	9														

Detta är ett urval av de valmöjligheter som finns för denna givare. För komplett beställningskod se sidan 23.

1. TYP

3 Motståndsgivare	TRA-F42
C Termoelement	TCA-F42

8. PROCESSANSLUTNING

B Fläns	DN25	EN 1092-1
D Fläns	DN50	EN 1092-1
H Fläns	ASME 1"	B16.5
L Fläns	ASME 1 1/2"	B16.5

9. TRYCKKLASS

1 PN 40 Form B1	EN 1092-1
A 150 lbs RF	ASME B16.5
B 300 lbs RF	ASME B16.5

* Temperaturspannet kan utökas med annat material i skyddssockan.

Type code for industrial thermometers

VTS4	4	1. Type	Plug-in	Screw-in	Flange
		1 TRA-P 40 Form 3 [Ex]		2 TRA-S 41 Form 3G [Ex]	3 TRA-F 42 Form 3F [Ex]
		A TCA-P 40 Form 3 [Ex]		B TCA-S 41 Form 3G [Ex]	C TCA-F 42 Form 3F [Ex]
		2. Certificate			
		0 without			
		1 ATEX Ex ia			
		4 IECEx ia			
		3. Connection heads			
		1 BA Alu, M20x 1,5, IP 65		5 BUZ-H heightened cover Alu, M20x1,5, IP 65 [Ex]	
		2 BUZ-S (snap) hinged cover Alu, M20x 1,5, IP 65		6 BUZ-HW with indicator* Alu, M20x1,5, IP 65	
		3 BUZ-T (screw) hinged cover Alu, M20x 1,5, IP 65 [Ex]		7 BBK screw cover PA, M20x 1,5, IP 54	
		4 BGK screw cover Alu, M20x 1,5, IP 65		8 BVA screw cover SS, M20x 1,5, IP 65	
		* indicator 4-digit loop powered LCD with floating zero AI = Aluminium SS = Stainless steel, PA = Polyamide			
		4. Measuring insert = sensor / wiring			
		2 1x Pt100 3-wire [Ex]		8 1x Pt100 3-wire + Smart Sense	A 1x Thermocouple Type J (Fe-CuNi) [Ex]
		3 1x Pt100 4-wire [Ex]			B 1x Thermocouple Type K (NiCr-Ni) [Ex]
		4 2x Pt100 3-wire (Cl.A, WW) [Ex]			D 2x Thermocouple Type J (Fe-CuNi) [Ex]
		5 2x Pt100 4-wire (Cl.A, WW) [Ex]			E 2x Thermocouple Type K (NiCr-Ni) [Ex]
		5. Measuring insert / tolerance class			
		Mineral insulated thin film		Mineral insulated wire wound	
		1 Cl. B (-50...+500°C)		4 Cl. A (-100 ... +450°C)	A Cl.1
		2 Cl. A (-30 ... +300°C)		6 Cl. B (-200... +600°C)	
		3 Cl. A, vibration-proof (-20 ... +200°C)		5 Cl. AA (-50... +250°C)	
				7 1/10 DIN B (0°C)	
		8. Process connection			
		0 without			
		Threaded		Flange	
		1 G 1/2 A		B Flange DN25, EN1092-1	P Compression fitting G 1/2, SS
		2 G 3/4 A		D Flange DN50, EN1092-1	R Compression fitting G 3/4, SS
		3 G 1 A		H Flange 1", ASME B16.5	S Compression fitting 1/2" NPT, SS
		5 1/2" NPT		L Flange 1.5", ASME B16.5	U Compression fitting G 1/2, PTDE
		6 3/4" NPT			V Compression fitting G 3/4, PTFE
		9. Pressure rating			
		0 without			
		1 PN 40 Form B1			
		10. Immersion length (L)			
		0 without			
		1 160 mm		4 280 mm	A 427 mm
		3 225 mm		6 307 mm	Z L+HL < 1000 mm
		2 220 mm		7 345 mm	
				8 367 mm	
		11. Extension length (HL)			
		1 80 mm		C 100 mm	L 170 mm
		2 82 mm		D 110 mm	M 180 mm
		3 145 mm (Std. length)		E 120 mm	N 190 mm
		4 147 mm		G 140 mm	P 200 mm
		A 70 mm		H 150 mm	Z L+HL < 1000 mm
		B 90 mm		K 160 mm	
		12. Type of connection / head mounted transmitter			
		0 with flying leads for transmitter mounting			
		1 Standard version with ceramic terminal block			
		L with head mounted transmitter // APAQ C130		Basic RTD/TC	
		4 with head mounted transmitter // IPAQ C203		Basic RTD	[Ex]
		C with head mounted transmitter // IPAQ C330		Universal	[Ex]
		E with head mounted transmitter // IPAQ C520		Smart, HART, SIL 2	[Ex]
		M with head mounted transmitter // IPAQ C530		Smart, HART	[Ex]
		13. Type of connection / rail mounted transmitter			
		0 without			
		L with rail mounted transmitter // APAQ R130		Basic RTD/TC	
		A with rail mounted transmitter // IPAQ-4L		Universal, 90 - 250 VAC	
		B with rail mounted transmitter // IPAQ-4L		Universal, 20 - 30 VDC	
		C with rail mounted transmitter // IPAQ R330		Universal	[Ex]
		H with rail mounted transmitter // IPAQ R520		Smart, HART, SIL 2	[Ex]
		M with rail mounted transmitter // IPAQ R530		Smart, HART	[Ex]
		14. Measuring range			
		0 without	5 0 ... +50°C	B 0...+300°C	G 0... +600°C
		1 customised	6 0...+100°C	C 0...+350°C	H 0... +800°C
		2 -50 ... +50°C	7 0...+150°C	D 0... +400°C	K 0...+1000°C
		3 -50 ...+100°C	8 0...+200°C	E 0... +450°C	
		4 -50 ...+150°C	A 0...+250°C	F 0... +500°C	
		15. Calibration report			
		0* without			
		Sensor calibration		Sensor + Transmitter calibration	
		1 1-point (single) room temperature		A 2-point 0%, 100% of range	
		P 2-point (single) 0°, 100°C		B 3-point 0%, 50%, 100% of range	
		R 2-point (double) 0°, 100°C		C 5-point 0%, 25%, ..., 100% of range	
		2 2-point (single) 0%, 100% of range		Sensor + Transmitter calibration with error correction	
		3 2-point (double) 0%, 100% of range		E 2-point 0%, 100% of range	
		S 3-point (single) 0°, 50°, 100°C		F 3-point 0%, 50%, 100% of range	
		T 3-point (double) 0°, 50°, 100°C		G 5-point 0%, 25%, ..., 100% of range	
		4 3-point (single) 0%, 50%, 100% of range		H customised	
		5 3-point (double) 0%, 50%, 100% of range			
		6 customised (single)			
		7 customised (double)			

Vissa kombinationer är inte möjliga. Vänligen kontakta KROHNE Inor för ytterligare information.

