

OPTIBAR PM 3050

Compact Pressure Transmitter



Installation, assembly, start-up and maintenance may only be performed by appropriately trained personnel.



For use in hazardous areas, special codes and regulations are applicable which are supplied in a separate document that describes all hazardous area relevant information.



The responsibility as to the suitability, intended use and corrosion resistance of the used materials against the measured fluid of this device rests solely with the operator.



For complete documentation (manuals, supplementary manuals, data sheets and certificates) please refer to www.krohne.com/Downloads.

1 Installation

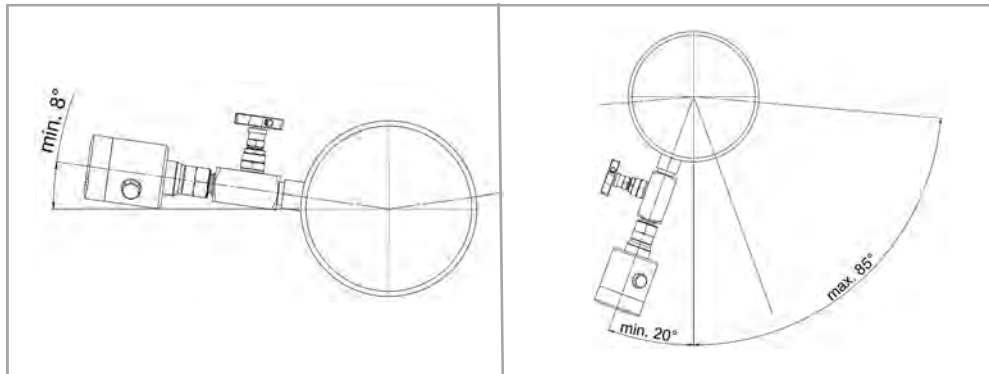


WARNING!

Install the device only when depressurized and without power!

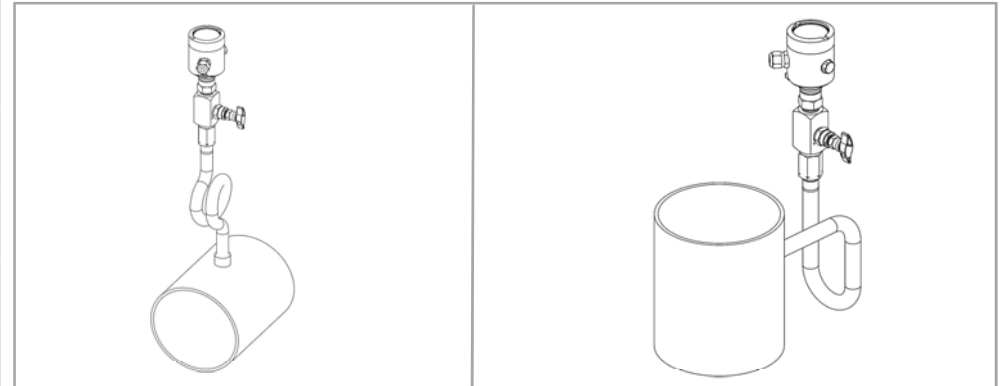
Gas

Liquid

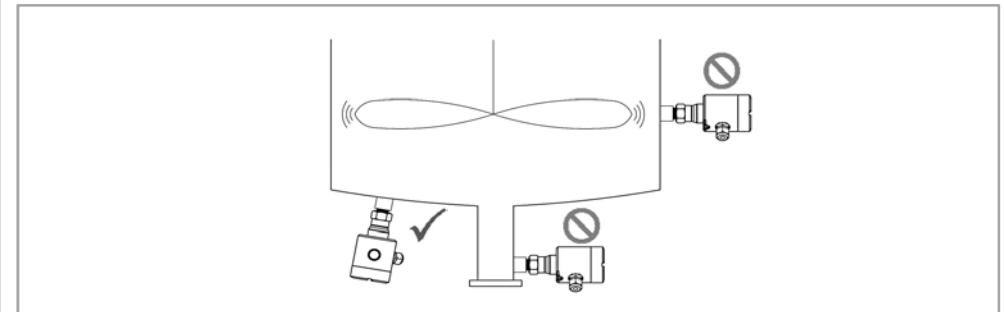


Steam vertical

Steam horizontal



LEVEL

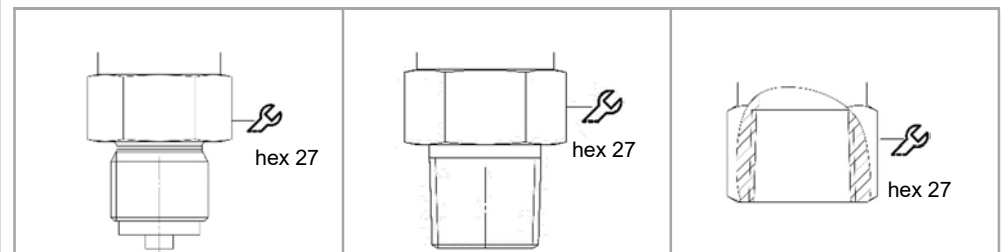


Process connections

Connections acc. to EN 837

NPT connections

NPT-F connections

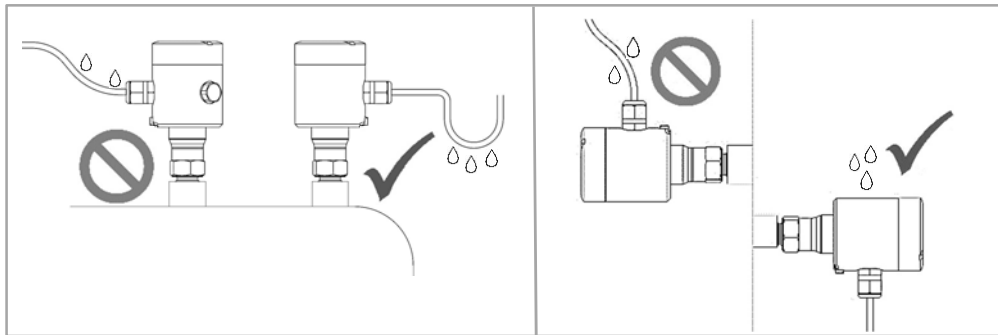
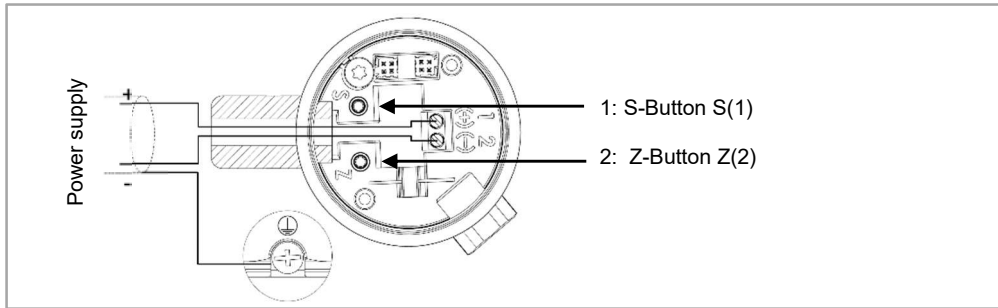


G1/2": ~50 Nm

1/2" NPT: ~70 Nm

1/2" NPT-F: ~70 Nm

2 Electrical connection

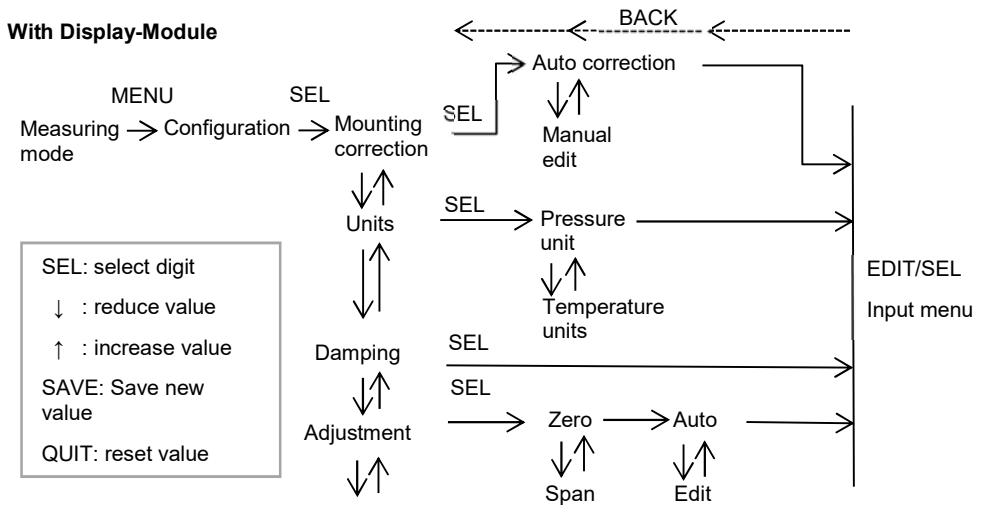


3 Quick Setup

Without Display-Module

Function	Button	Hold-time	Hold-time
Span (20mA)	S(1)	1-5 s	
Zero (4mA)	Z(2)	1-5 s	
Offset	Z(2)	10-30 s	
Factory-reset	S(1)	10-30 s	

With Display-Module



SEL: select digit
 ↓ : reduce value
 ↑ : increase value
 SAVE: Save new value
 QUIT: reset value

Contact

To view all KROHNE locations and contact details visit:

www.krohne.com

Then "Select your country" from the drop down list at the top left of the page