



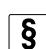




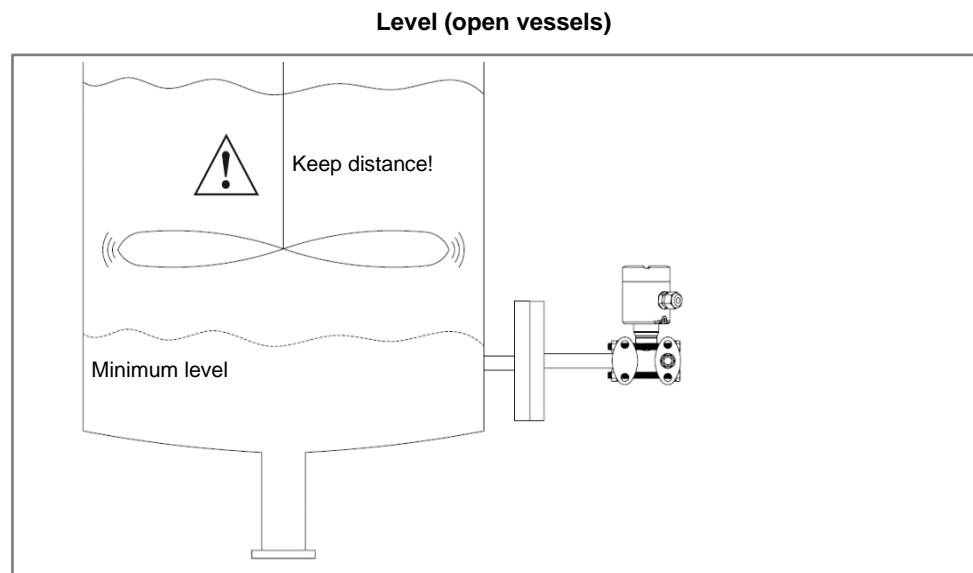
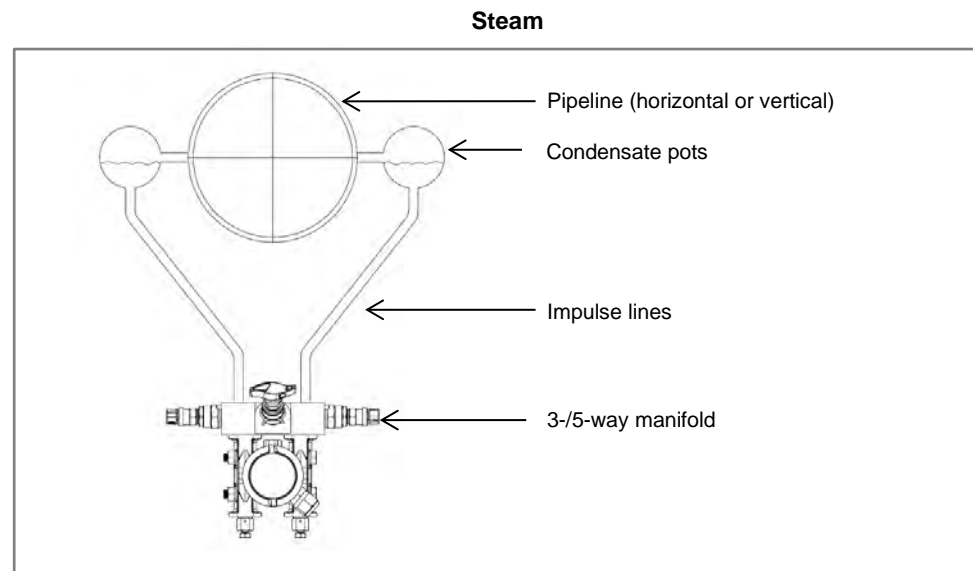
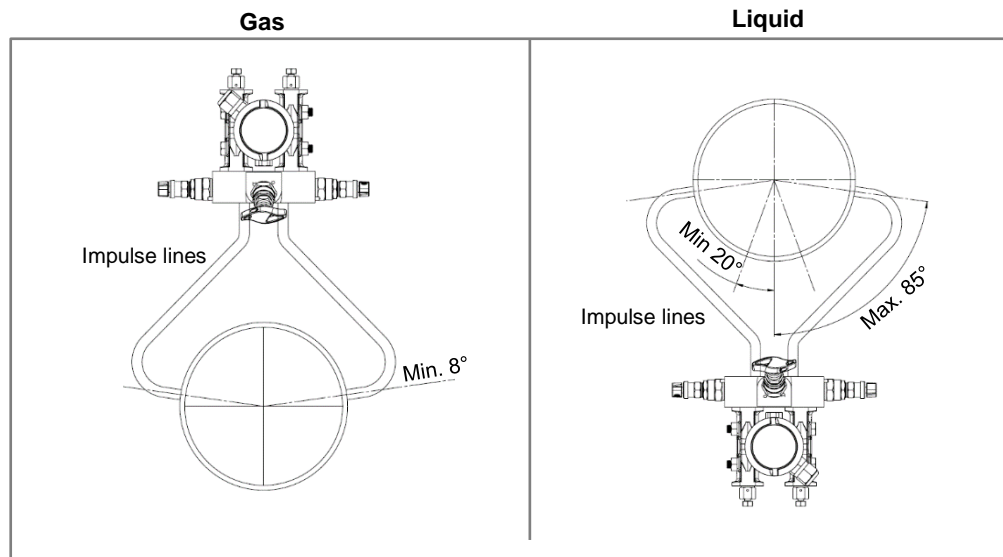
OPTIBAR DP 3050

Compact differential pressure transmitter

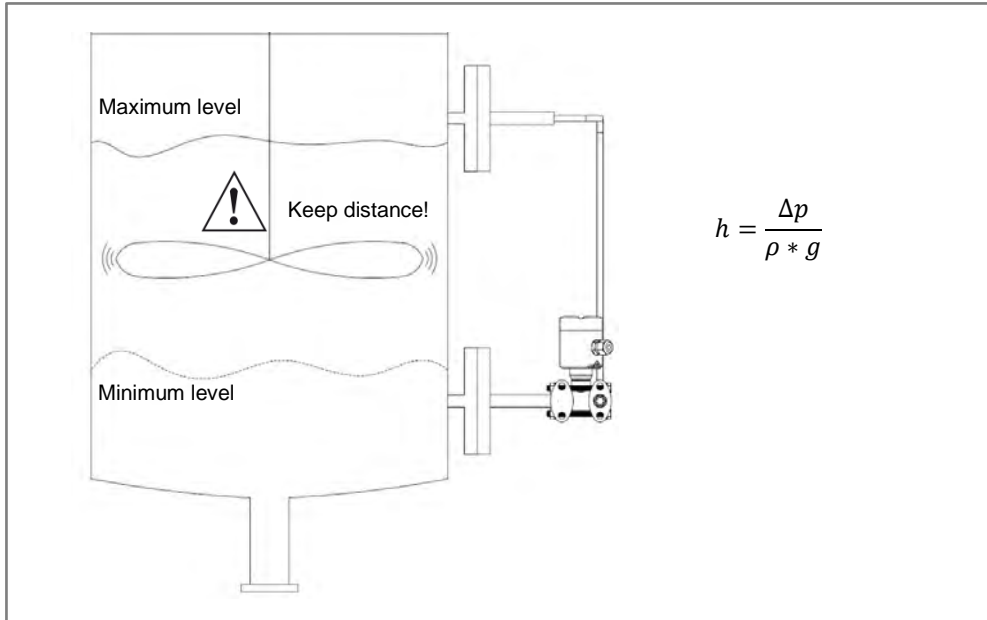
-  Installation, assembly, start-up and maintenance may only be performed by appropriately trained personnel. Check the nameplate for correct operating conditions.
-  For use in hazardous areas, special codes and regulations are applicable. Please refer to the corresponding supplementary manual.
-  This instrument complies with the requirements of Pressure Equipment Directive. Please refer to the nameplate for operating condition limits. Instruments must not be pressurised before reading instructions described in the manual.
-  This instrument complies with requirements of Low Voltage Directive. Instruments must not be connected to power supply before reading instructions described in the manual.
-  The responsibility as to the suitability, intended use and corrosion resistance of the used materials against the measured fluid of this device rests solely with the operator.
-  For complete documentation (manuals, supplementary manuals, data sheets and certificates) please refer to www.krohne.com/Downloads.

1 Installation

 **WARNING!**
Install the device only when depressurized and without power!



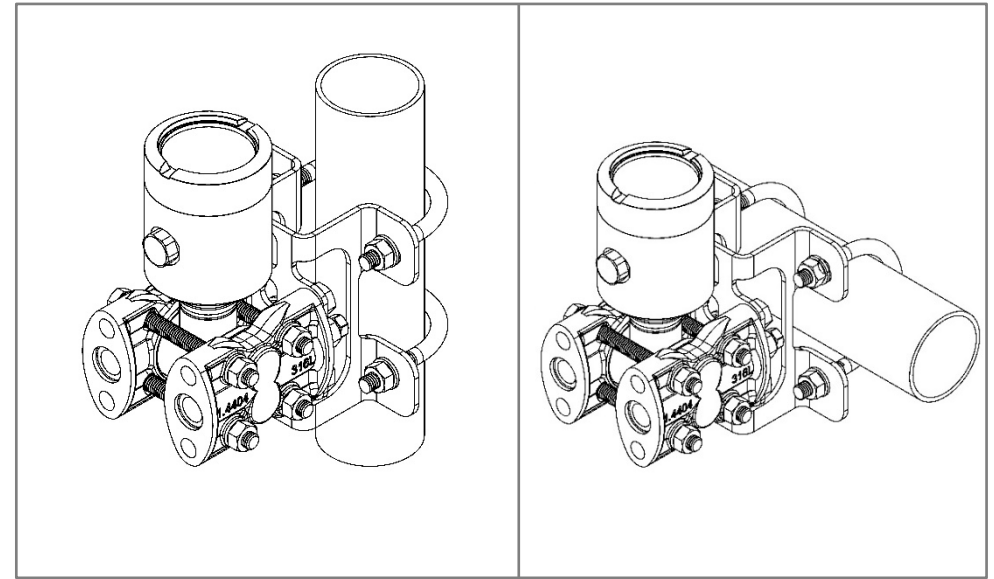
Level (closed vessels)



Installation on a 2" pipe

Horizontal pipe

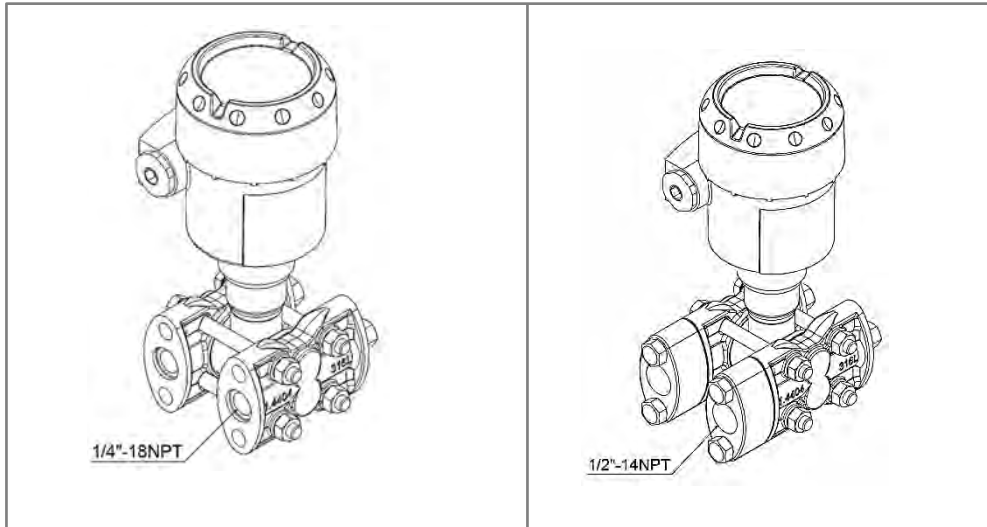
Vertical pipe



Process connections

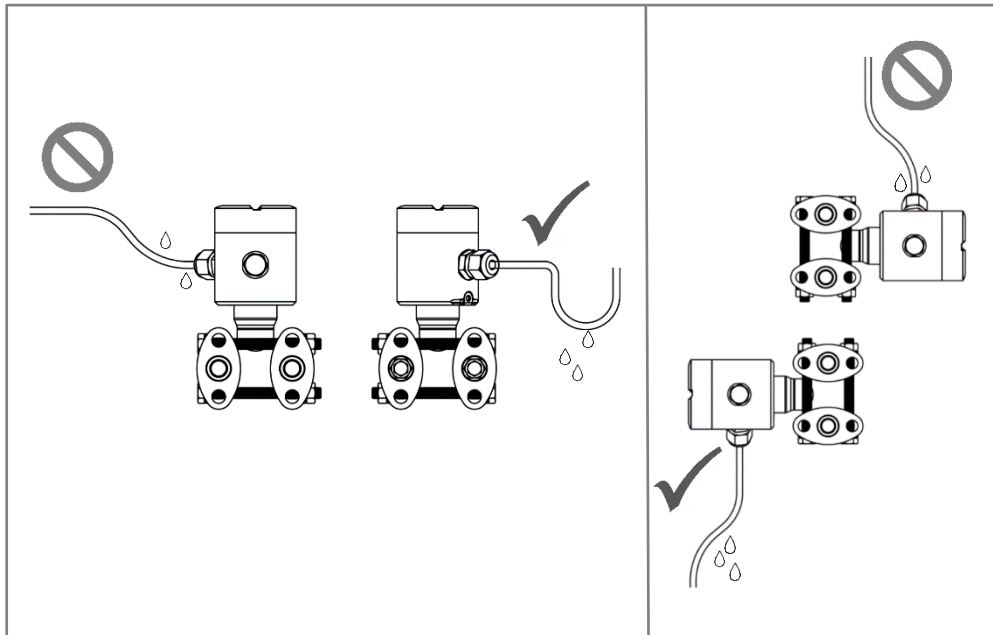
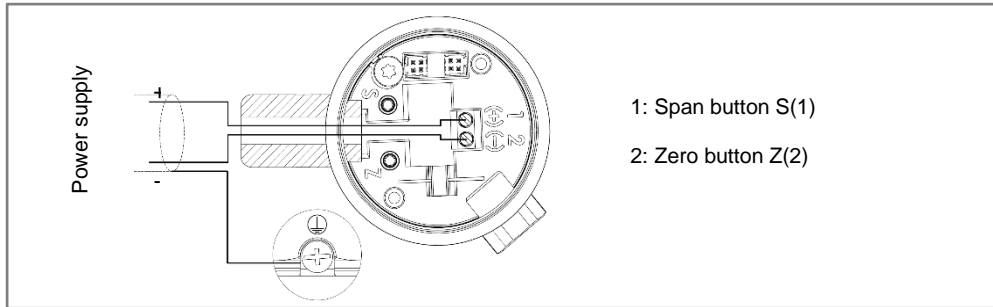
Standard configuration

With 1/2" NPT-F-adapter



2 Electrical connection

Danger!
 All work on the electrical connections may only be carried out with the power disconnected.
 Take note of the voltage data on the nameplate.
 Observe the national regulations for electrical installations.

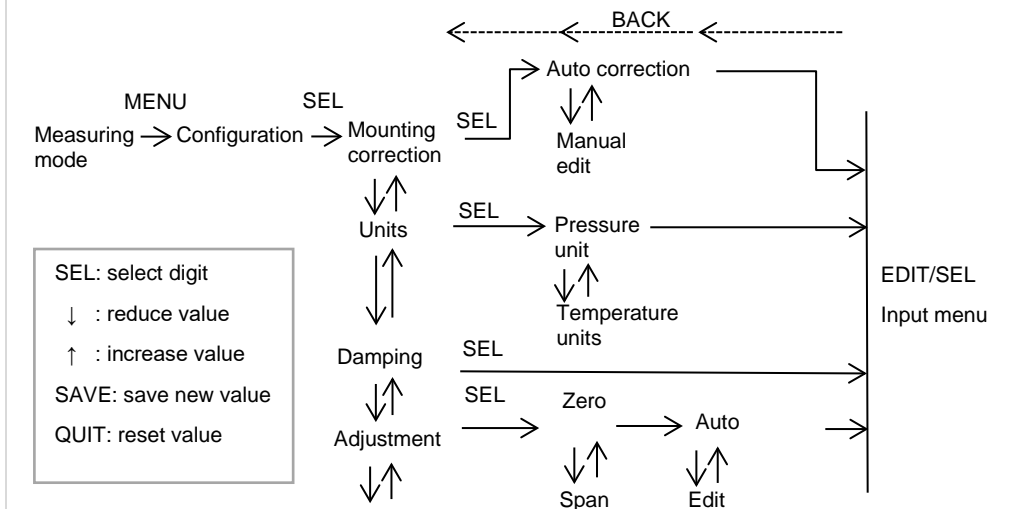


3 Quick Setup

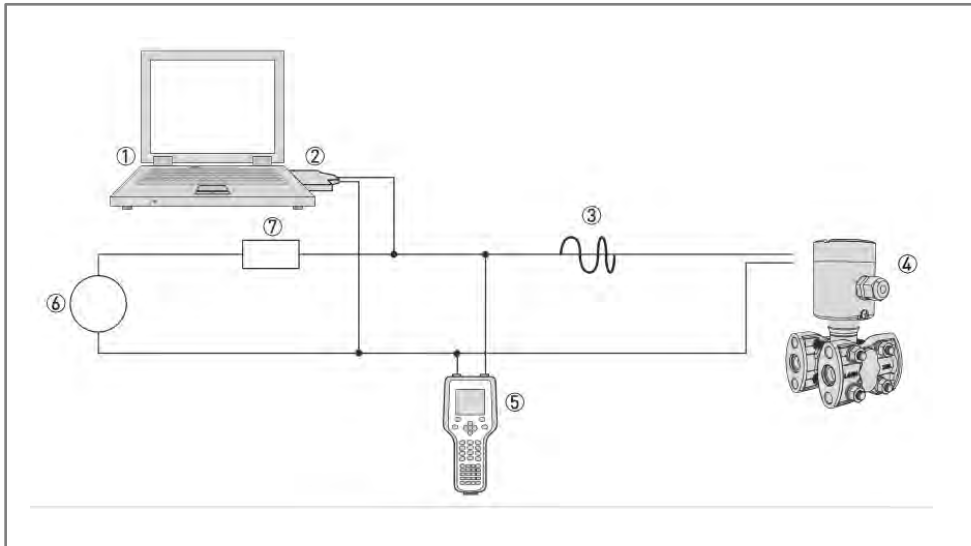
Without display-module

Function	Button	Hold-time	Button pressed	Release
Span (20mA)	S(1)	1-5 s	1.....5	t in s
Zero (4mA)	Z(2)	1-5 s		t in s
Offset	Z(2)	10-30 s		t in s
Factory-reset	S(1)	10-30 s		t in s

With display-module



Via PACTware™ or HART®-Handheld



- 1 = Primary Master with e.g. PACTware™ FDT/DTM
- 2 = FSK-Modem
- 3 = HART®-signal
- 4 = OPTIBAR DP 3050
- 5 = Second Master with HART® DD
- 6 = Power supply for devices with passive current output
- 7 = Load $\geq 250 \Omega$ (Ohm)

Contact

To view all KROHNE locations and contact details visit:

www.krohne.com

Then "Select your country" from the drop down list at the top left of the page